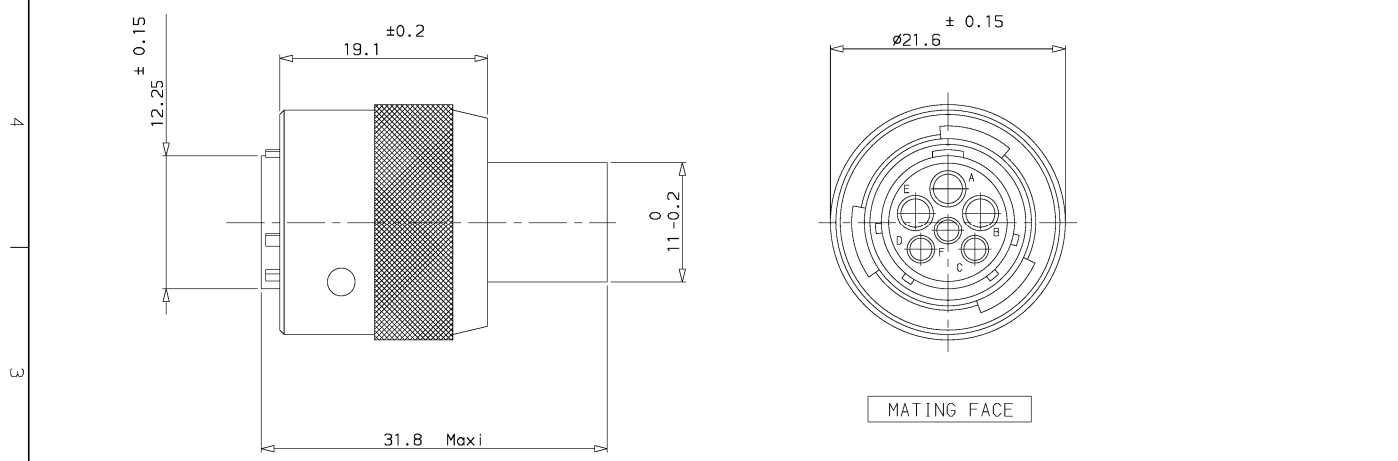


H G F E D C B A



Material :
 Body : Glass-filled polyamide colour black UL94-V0.
 Bayonet ring : CuZn alloy Nickel plated.

Performance Characteristics :
 Operating temperature : -55°C to +125°C.
 Insulation resistance : 5000 M a min.
 Test potential : 1500 Vac eff

Notes :

1. Connector accepts size 16 stamped or machined and size 20 stamped pin contacts.
2. Contacts to be ordered separately - refer to TRIM TR10 catalog

CATALOG NUMBER
 UTG6103W3PN

ISS	18/03/03	First issue	--
DATE	---	Latest modification by :	---
Designed by: ROUILLAR date: 18/03/03		Type of drawing:	CUSTOMER DRAWING
Checked by :		SEE DISTRIBUTION LIST	Date : ON DISTRIBUTION LIST
TITLE : UTG BANTAM MALE RECEPTACLE SIZE 10 WITH 3+3 CONTACTS			
SCALE	3	General angular Tolerances	--
MATERIAL:---	N°: --		
	General Linear Tolerances: --	General machining surface texture: --	Geometric tolerances see NF E 04-552
PROJECT	TRIM		
SOURIAU Route Nationale 23 72470 CHAMPAGNE Tel. (33)02.43.54.95.00		This document is the property of FRAMATOME CONNECTORS FRANCE It must not be reproduced or communicated without permission in writing from the owners	
FORMAT	A3	DRAWING NUMBER	UTG-0002-C01
SHEET			1/1

H G F E D C B A